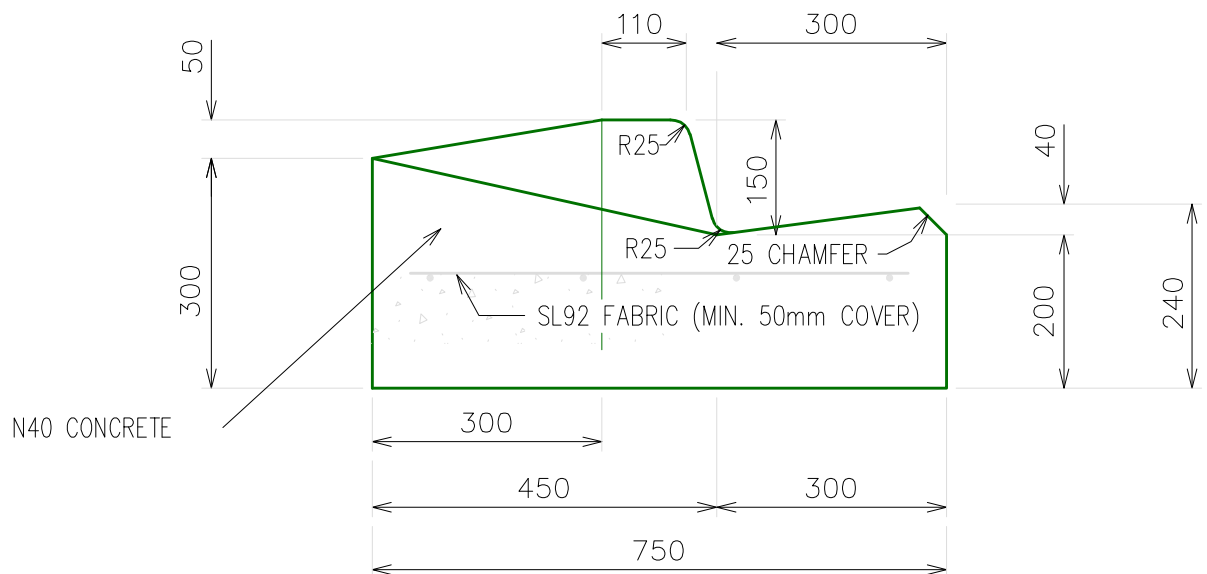


VEHICLE CROSSOVER



KERB CROSSOVER (A-A)

NOTE: -

1. ALL KERBING TO BE IN ACCORDANCE WITH AS 2876-2000, CONCRETE KERBS AND CHANNELS (GUTTERS)
2. ALL KERBING CONCRETE TO CONTAIN BLACK OXIDE UPTO THE RATE OF 10 Kgs./Cu.m., TO MATCH EXISTING.
3. ALL CONSTRUCTION TO BE IN ACCORDANCE WITH COUNCIL'S "TECHNICAL SPECIFICATION FOR CONCRETE WORK"

STANDARD DETAIL
COMPLYING HEAVY DUTY
COMMERCIAL 150mm KERB CROSSOVER
Gross Vehicle Mass- >15 Tonne



CITY OF
MITCHAM

DRAWING No.
SD-600

SHEET 23-B | A4

| | | | |
|--------------------------|-------------------|----------------------------------|----------------------------|
| DRAWN / DESIGNED J.R. | COPY / ISSUE DATE | PREVIOUS ISSUE DATE July 2005 | ISSUE DATE January 2007 |
|--------------------------|-------------------|----------------------------------|----------------------------|