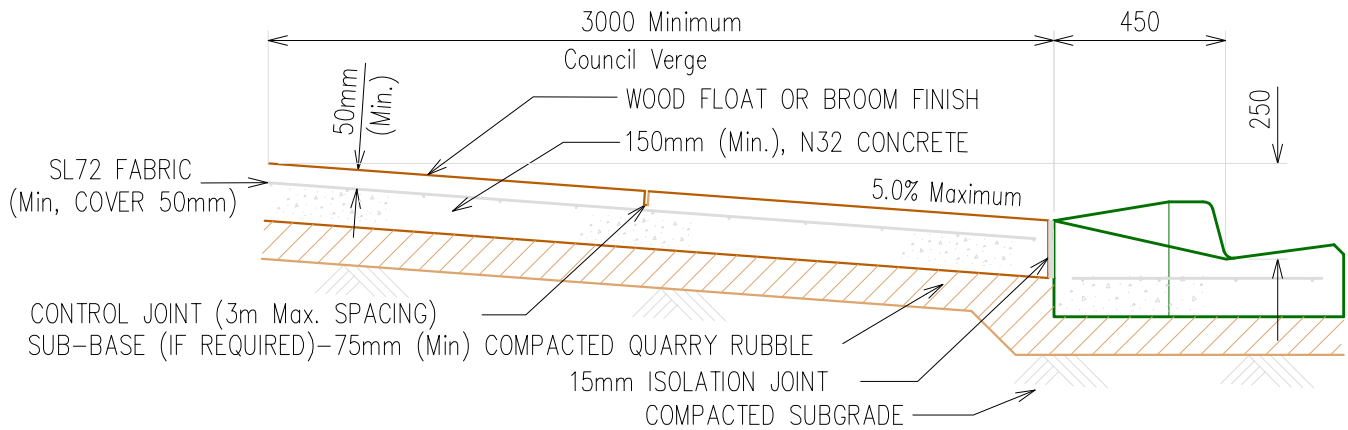
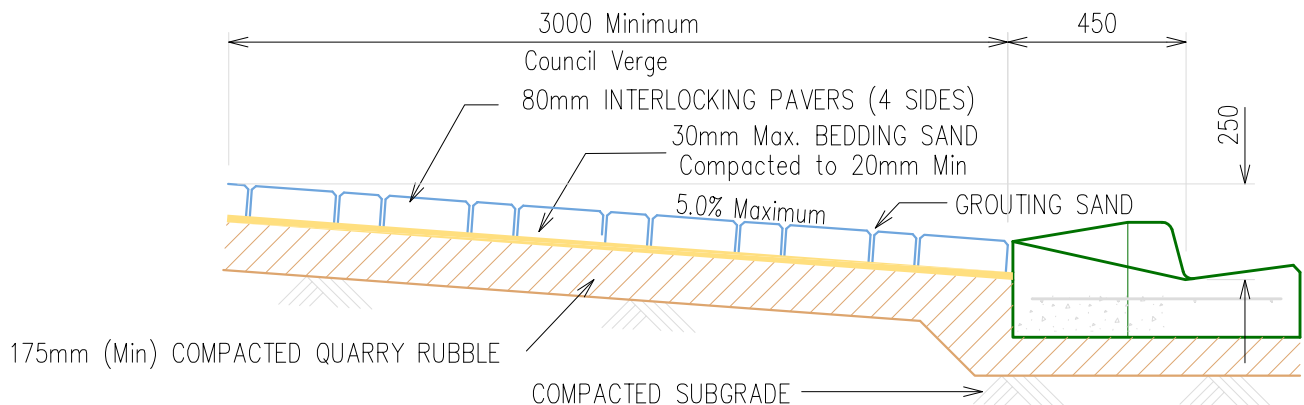


## HOTMIX VEHICLE CROSSOVER SECTION



## CONCRETE VEHICLE CROSSOVER SECTION



## PAVED VEHICLE CROSSOVER SECTION

NOTE: -

1. 250mm FREE BOARD FROM KERB INVERT (or EDGE OF ROAD) IS IN ACCORDANCE WITH THE "QUEENSLAND URBAN DRAINAGE MANUAL" SECTION 5.35.
2. ALL KERBING TO BE IN ACCORDANCE WITH AS 2876-2000, CONCRETE KERBS AND CHANNELS (GUTTERS)
3. CROSSOVER PAVEMENTS REFERENCE: - AS 3727, GUIDE TO RESIDENTIAL PAVEMENTS; CMAA T44, T45, & T46
4. ALL KERBING CONCRETE TO CONTAIN BLACK OXIDE UPTO THE RATE OF 10Kgs./Cu.m., TO MATCH EXISTING.
5. ALL CONSTRUCTION TO BE IN ACCORDANCE WITH COUNCIL'S "TECHNICAL SPECIFICATION FOR CONCRETE WORK"

STANDARD DETAIL  
COMPLYING LIGHT DUTY  
COMMERCIAL ENTRANCE

Gross Vehicle Mass-Max. 15 TONNE



CITY OF  
MITCHAM

DRAWING No.

SD-600

SHEET

24-A

A4

DRAWN / DESIGNED  
J.R.

COPY ISSUE DATE

PREVIOUS ISSUE DATE  
April 2004

ISSUED DATE  
January 2007